

Attach a clamp plate to each u-bracket.

Insert two 3/8 x 1 in. carriage bolts through the clamp plate square holes and back of u-bracket. Secure loosely with 3/8 in. flange nuts.

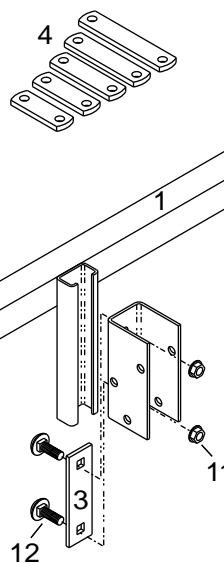
Install the u-bracket on mount bar by sliding the clamp plate into vertical channel.

IMPORTANT: Note orientation of holes on u-bracket.

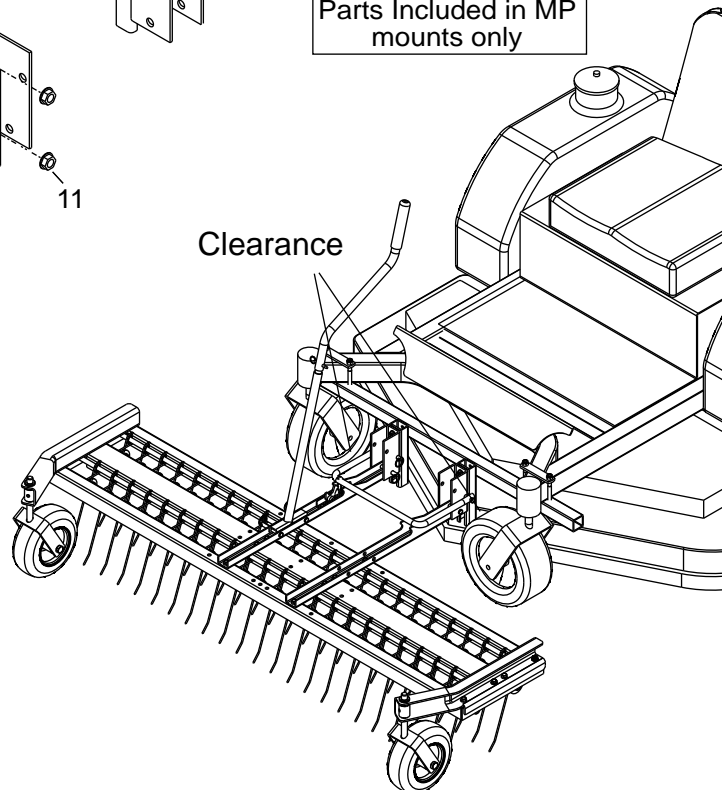
Adjust u-bracket height to 9 1/2 inches from the bottom of the u-bracket to the ground. Tighten flange nuts.

KEY PART DESCRIPTION
NO. NO.

1	4670-9	Mount Bar 39"	
	4670-10	Mount Bar 44"	
	4670-11	Mount Bar 54"	
2	4668	U-bracket	
3	4631-2	Clamp Plate	
4	4671-1	Clamp Bar 3.0	Qty. & size vary with application
	4671-2	Clamp Bar 4.4	
	4671-3	Clamp Bar 3.3	
	4671-4	Clamp Bar 3.8	
	4671-5	Clamp Bar 5.1	
	4671-6	Clamp Bar 1.5	
5	4669R	Mount Plate, Right	
6	4669L	Mount Plate, Left	
7	7278	Hex bolt, 3/8-16 x 2 1/2	
8	7279	Nylon Locknut 3/8-16	
9	4247	3/8 Flatwasher	
10		Hex bolt, 3/8-16 x various lengths	
11	7250	Serrated Flange Nut, 3/8-16	
12	7277	Carriage Bolt, 3/8-16 x 1	



Clearance



Limited Warranty

We warrant each new JRCO Mount Bar sold by us to be free from manufacturing defects in normal service for a period of 90 days for commercial use, commencing with delivery to the original retail user.

Our obligation under this warranty is expressly limited, at our option, to the replacement or repair at JRCO, Inc. (Minneapolis, Minnesota), or at a service facility designated by us, of such part or parts as inspection shall disclose to have been defective. This warranty does not apply to defects caused by damage or unreasonable use (including failure to provide reasonable and necessary maintenance) while in the possession of the consumer.

This warranty is void should the product be repaired or modified in any way not authorized by JRCO, Inc.

We shall not be liable for consequential damages of any kind, including but not limited to consequential labor costs or transportation charges in connection with the replacement or repair of defective parts.

Any implied or statutory warranties, including any warranty of merchantability or fitness for a particular purpose, are expressly limited to the duration of this written warranty. We make no other express warranty, nor is anyone authorized to make any in our behalf.