

PARTS DRAWING AND LIST

Write JRCO, Inc. at P.O. Box 41304, Minneapolis, MN 55441 or phone 1-800-966-8442 to order parts. See Fig. 8, 9 and Table 3 for the part numbers.

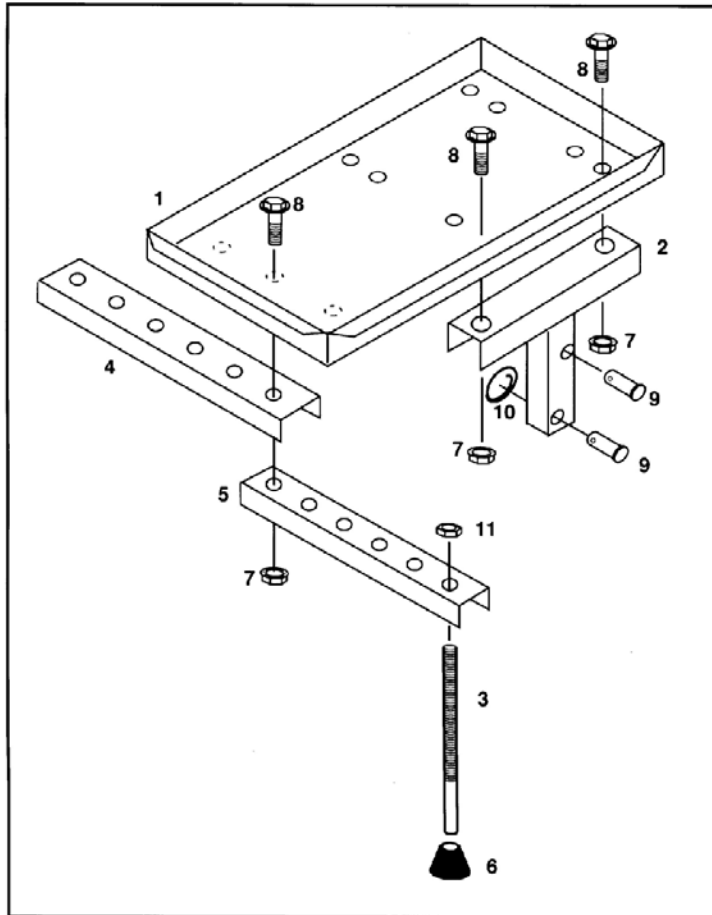


Fig. 8. JRCO TRANSPORTER™ Tray parts drawing.

Table 3. JRCO TRANSPORTER™
Tray parts list.

Drawing No.	Part No.	Description	Qty
1	4911	Tray	1
2	4912	Tray supports	2
3	4913	Threaded rods 1/2-13 x 12	2
4	4915-1	Outer outrigger arm	1
5	4915-2	Inner outrigger arm	1
6	4914	Rubber caps	2
7	7247	Flange nuts 5/16-18	7
8	7232	Flange bolts 5/16-18 x 3/4	7
9	4684	Clevis pins 3/8 x 2 3/4	4
10	4110	Circle cotters	4
11	7240	Nuts 1/2	2

56 Gallon Tub (Optional)
Model 91

12	6075	Tub	1
13	7437	Rubber straps 19 in.	2

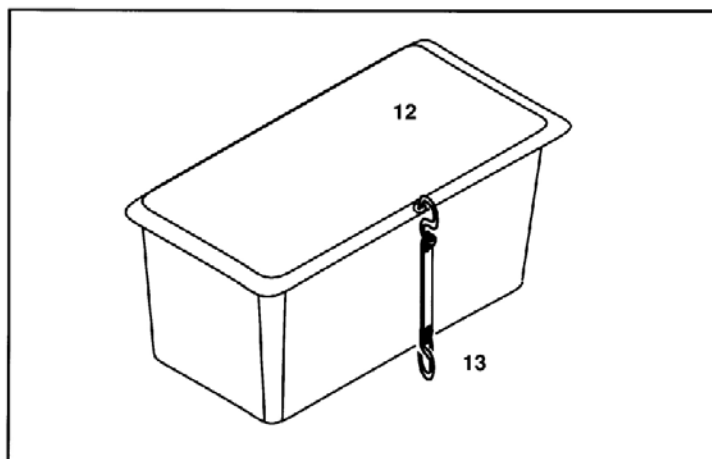


Fig. 9. Optional tub and rubber straps parts drawing.