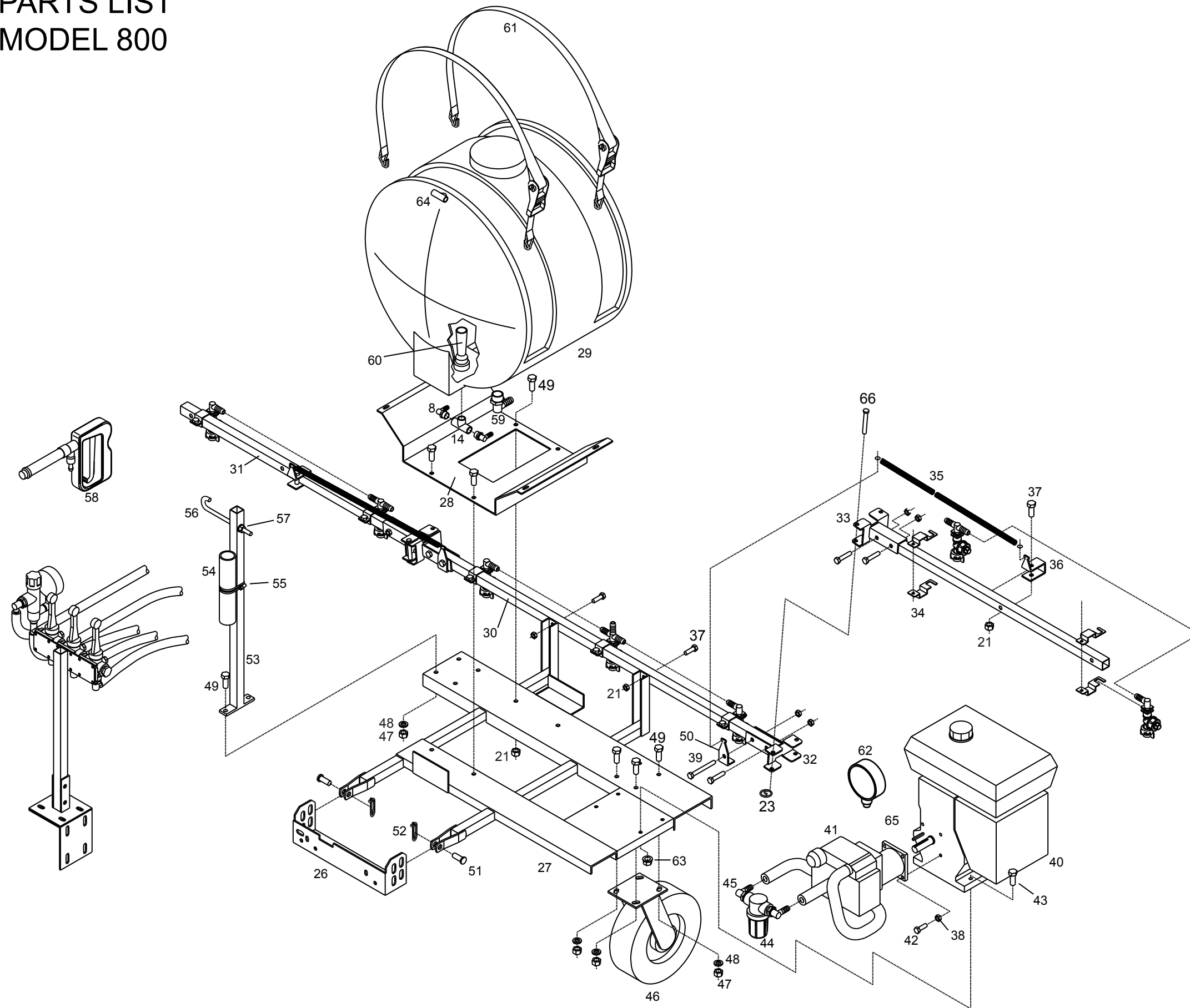
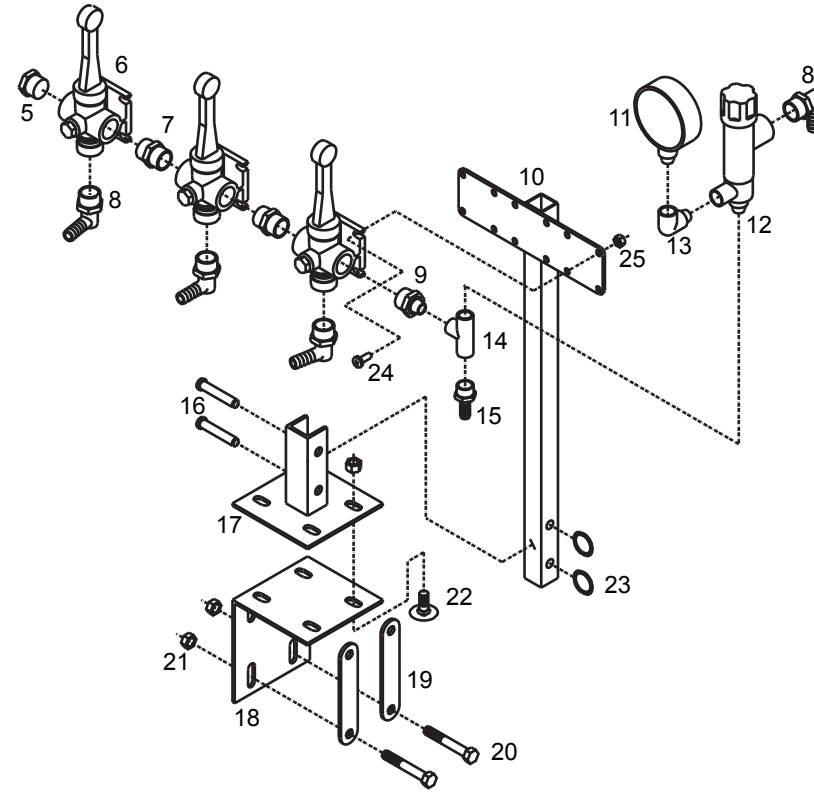


# PARTS LIST MODEL 800



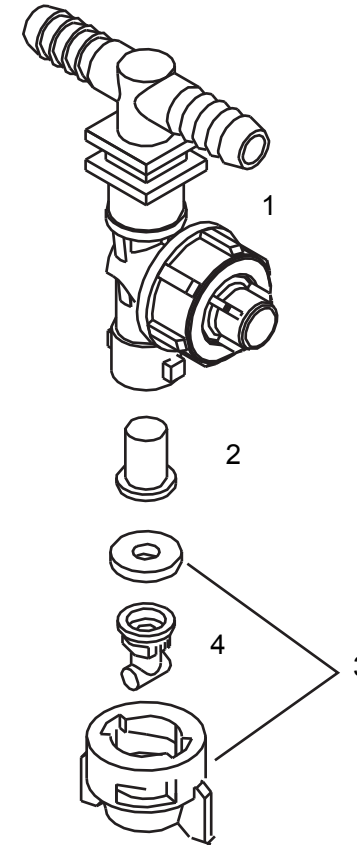
| Drawing Number | Part Number | Description                      | Qty |
|----------------|-------------|----------------------------------|-----|
| 8              | 8045        | Fitting, 1/2 MNPT x 1/2 HB elbow | 2   |
| 14             | 8046        | Fitting, 1/2 FNPT tee            | 1   |
| 21             | 7279        | Nylock nut, 3/8-16               | 16  |
| 23             | 4110        | Circle cotter 1 1/8              | 2   |
| 26             | 5026        | Hitch                            | 1   |
| 27             | 8007        | Sprayer frame                    | 1   |
| 28             | 8008        | Sprayer tank cradle              | 1   |
| 29             | 8018        | 30 gallon tank with lid          | 1   |
| 30             | 8009        | Boom center section              | 1   |
| 31             | 8010        | Boom wing section                | 2   |
| 32             | 8011C       | Boom hinge, center               | 2   |
| 33             | 8011W       | Boom hinge, wing                 | 2   |
| 34             | 8053        | Boom nozzle clip                 | 7   |
| 35             | 8069        | Boom spring                      | 2   |
| 36             | 8013        | Spring mount, wing               | 2   |
| 37             | 8003        | HH capscrew, 3/8-16 x 1 3/4      | 8   |
| 38             | 4214        | Flatwasher, 5/16                 | 4   |
| 39             | 8059        | HH capscrew, 3/8-16 x 3 1/2      | 2   |
| 40             | 8004        | Engine, 3.5 HP                   | 1   |
| 41             | 8005        | Pump, diaphragm, with gearbox    | 1   |
| 42             | 8064        | HH capscrew, 5/16-24 x 1         | 4   |
| 43             | 4212        | HH capscrew, 5/16-18 x 1 1/2     | 4   |
| 44             | 8040        | Line strainer                    | 1   |
| 45             | 8052        | Fitting, 3/4 MNPT x 3/4 HB elbow | 2   |
| 46             | 4005        | Swivel wheel assembly            | 2   |
| 47             | 4236        | 2-way hex locknut, 3/8-16        | 8   |
| 48             | 4235        | Flatwasher, 3/8 SAE              | 8   |
| 49             | 4234        | HH capscrew, 3/8-16 x 1          | 12  |
| 50             | 8012        | Spring mount, center             | 2   |
| 51             | 4003        | Clevis pin, 1/2 x 1 1/4          | 2   |
| 52             | 4009        | Safety clip                      | 2   |
| 53             | 8017        | Gun hook pedestal                | 1   |
| 54             | 8068        | Holster                          | 2   |
| 55             | 8063        | Hose clamp, stainless            | 2   |
| 56             | 8060        | J-bolt, 3/8-16 x 7               | 1   |
| 57             | 7250        | Whiz nut, 3/8-16                 | 2   |
| 58             | 8006        | Spray gun                        | 1   |
| 59             | 8052        | Fitting, 3/4 MNPT x 3/4 HB elbow | 1   |
| 60             | 8039        | Hydraulic agitator               | 1   |
| 61             | 8061        | Tank cradle strap                | 2   |
| 62             | 8072        | Pump pressure gauge              | 1   |
| 63             | 7247        | Whiz nut, 5/16-18                | 4   |
| 64             | 8047        | Fitting, 11/16 MPS x 1/2 HB tee  | 1   |
| 65             | 8073        | Key, 3/16 square x 1             | 1   |
| 66             | 4684        | Clevis pin, 3/8 x 2 3/4          | 2   |

### Pendant Assembly



| Drawing Number | Part Number | Description                            | Qty |
|----------------|-------------|--|-----|
| 5              | 8049        | Fitting, 3/4 MNPT plug                 | 1   |
| 6              | 8033        | Boom control valve                     | 3   |
| 7              | 8048        | Fitting, 3/4 close nipple              | 2   |
| 8              | 8045        | Fitting, 1/2 MNPT x 1/2 HB elbow       | 4   |
| 9              | 8050        | Fitting, 3/4 x 1/2 MNPT reducer nipple | 1   |
| 10             | 8015        | Sprayer control pendant                | 1   |
| 11             | 8041        | Boom pressure gauge                    | 1   |
| 12             | 8034        | Pressure regulating valve              | 1   |
| 13             | 8042        | Fitting, 1/4 street elbow              | 1   |
| 14             | 8046        | Fitting, 1/2 FNPT tee                  | 1   |
| 15             | 8043        | Fitting, 1/2 MNPT x 1/2 HB straight    | 1   |
| 16             | 7845        | Clevis pin, 3/8 x 2                    | 2   |
| 17             | 8016        | Pendant mount                          | 1   |
| 18             | 8014        | Pendant mount angle bracket            | 1   |
| 19             | 4671-2      | Clamp bar, 4.4                         | 2   |
| 19             | 4671-3      | Clamp bar, 3.3                         | 2   |
| 19             | 4671-5      | Clamp bar, 5.1                         | 2   |
| 20             | 7278        | HH capscrew, 3/8-16 x 2 1/2            | 4   |
| 21             | 7279        | Nylock nut, 3/8-16                     | 8   |
| 22             | 7277        | Carriage bolt, 3/8-16 x 1              | 4   |
| 23             | 4110        | Circle cotter, 1 1/8                   | 2   |
| 24             | 8057        | Pan head screw, 1/4-20 x 5/8           | 6   |
| 25             | 4250        | Nylock nut, 1/4-20, low profile        | 6   |

### Tip Assembly



| Drawing Number | Part Number | Description              | Qty |
|----------------|-------------|--------------------------|-----|
| 1              | 8035        | Nozzle body, single barb | 4   |
|                | 8036        | Nozzle body, double barb | 2   |
|                | 8037        | Nozzle body, triple barb | 1   |
| 2              | 8038        | Strainer, 50 mesh        | 7   |
| 3              | 8032        | Cap and gasket set       | 7   |
| 4              | 8031-2      | Tip, Yellow (optional)   |     |
|                | 8031-4      | Tip, red (supplied)      | 7   |
|                | 8031-6      | Tip, Gray (optional)     |     |