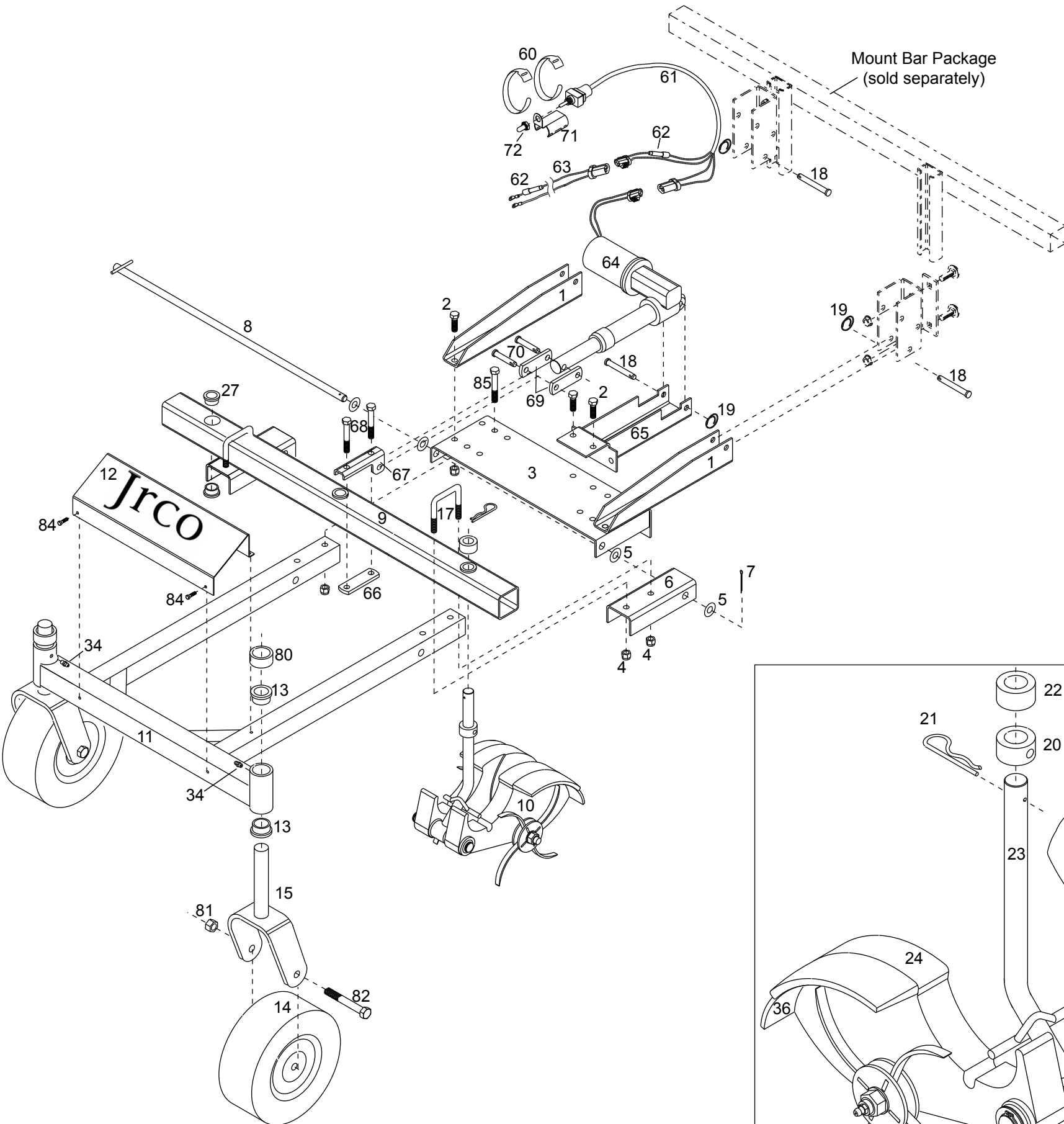
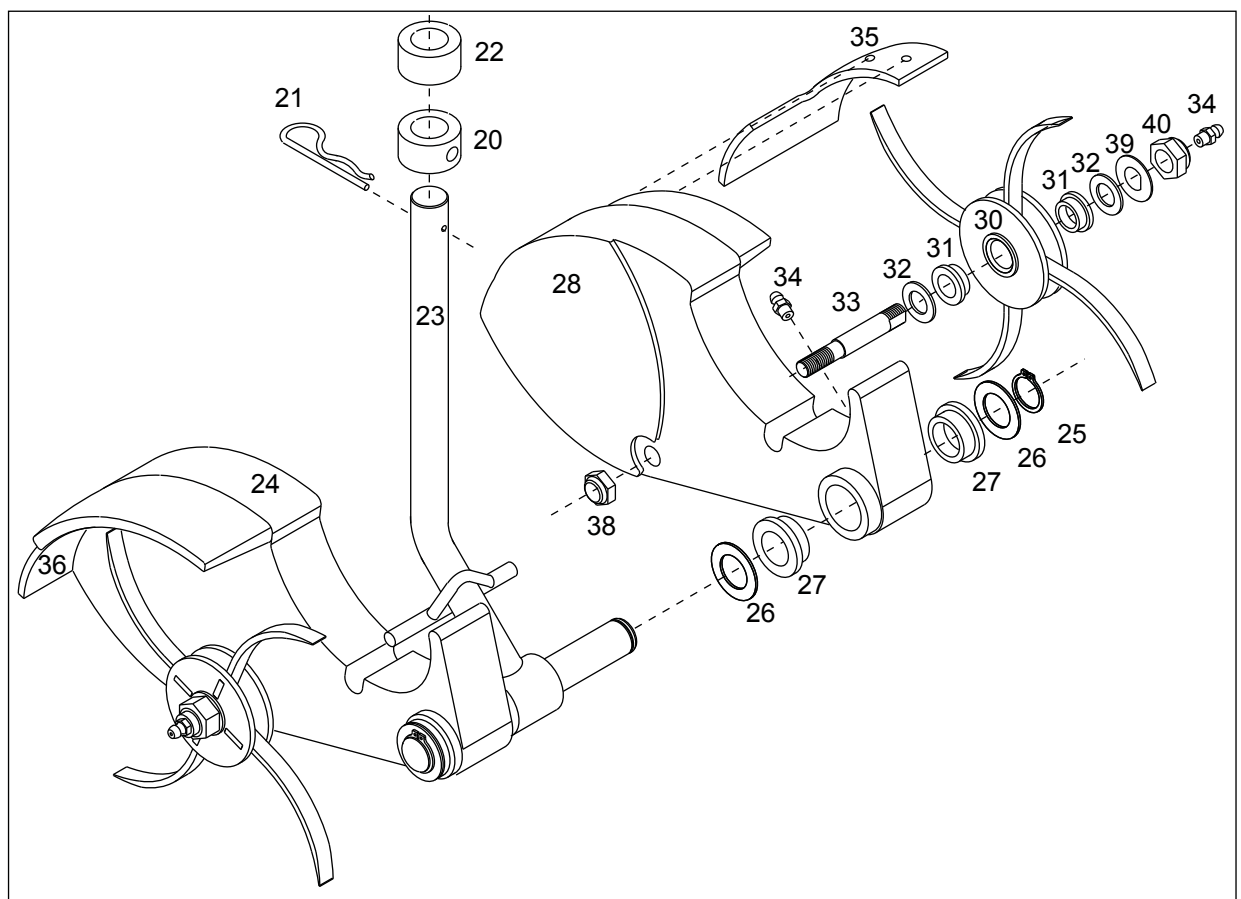


# FRAME ASSEMBLY



Key No.	Part No.	Description	Qty.	Key No.	Part No.	Description	Qty.
1	7804	Support arm	2	34	7816	Grease fitting	2
2	4234	HH capscrew 3/8-16 x 1"	8	60	7859	Hook & loop tie	2
3	7805	Stabilizer frame	1	61	7851	Switch harness	1
4	4236	3/8-16 two-way locknut	14	62		Fuse 20 amp	2
5	7252	Flatwasher, 1/2" SAE	4	63	7430-4	Harness, battery 6 ft.	1
6	7803	Pivot arm	2	64	7833	Actuator, 4" stroke 12 volt	1
7	7846	Cotter pin 1/8 x 3/4	3	65	7809	Actuator mount	1
8	7806	Pivot rod	1	66	4671-3	Clamp bar 3.3"	1
9	7844-1	Caster bar assembly (incl bushings)	1	67	7808	Top pivot	1
10	7842-2	Caster head assembly	3	68	7308	HH capscrew 3/8-16 x 3 1/2"	2
11	7800	Frame weldment	1	69	4671-1	Clamp bar 3"	2
12	7991	Bumper	1	70	7845	Clevis pin 3/8 x 2"	2
13	7583-1	Flange bushing, 1" I.D.	4	71	8261	Switch bracket	1
14	7867	Wheel with hub 9 x 350-4	2	72	7980	Switch boot seal	1
15	7914	Swivel yoke	2	80	7915	Shaft collar, yoke 1" I.D.	2
17	7811	U-bolt 3/8 x 2 3/4	2	81	4233	1/2-13 two-way locknut	2
18	4684	Clevis pin 3/8 x 2 3/4	3	82	8093	HH capscrew 1/2-13 x 5 1/2"	2
19	4110	Circle cotter 1 1/8"	2	84	7924	Bumper screw, 1/4-20 x 3/8"	4
27	7873	Flange bushing 3/4" I.D.	6	85	7278	HH capscrew 3/8-16 2 1/2"	4

# CASTER HEAD ASSEMBLY 7842-2



Key No.	Part No.	Description	Qty.
20	7828	Shaft collar, 3/4" I.D. w/set screw	1
21	3045	Hairpin cotter	1
22	7830	Shaft collar, 3/4" I.D. w/o set screw	1
23	7823-1	Caster pin	1
24	7904R	Casting, Right	1
25	7942	Snap ring 3/4"	2
26	7818	Machine bushing 3/4" I.D.	4
27	7873	Flange bushing 3/4" I.D.	4
28	7904L	Casting, Left	1
30	7860-1	Rotor assembly (incl bushings)	2
31	7895	Flange bushing 1/2" I.D.	4
32	7865	Flatwasher special 1/2" I.D.	4
33	7944-1	Axle shaft	2
34	7816	Grease fitting	4
35	7849-1	Dirt shield Left	1
36	7849-1	Dirt shield Right	1
37	7066	Dirt shield screw 10-24 x 3/8 self tap	4
38	7907	7/16-20 nylon locknut low profile	2
39	7909	D-washer	2
40	7908	1/2-20 nylon locknut low profile	2