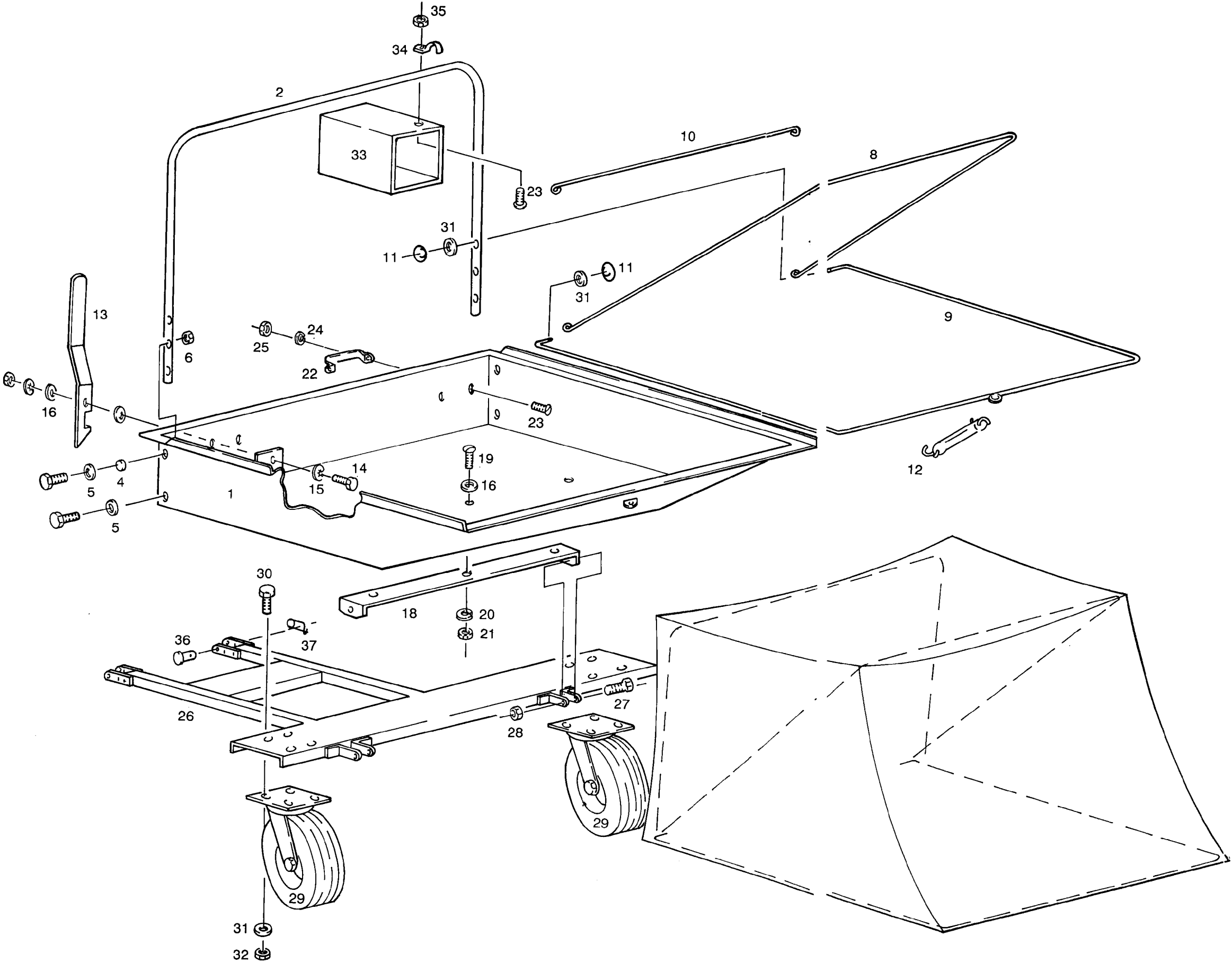


PARTS LIST

Cart Bagger Model 522



Key No.	Part No.	Description	Quantity
1	5001	Box	1
2	5003	Tube, Support	1
3	*	Bolt, Hex, 5/16-18x1-1/2	4
4	5004	Spacer, Plastic, 5/16	2
5	*	Flatwasher, 5/16	4
6	*	Nut, Lock, 5/16-18	4
7	5002	Cover	1
8	5005	Rod, Support	1
9	5006	Rod, Frame	1
10	5018	Rod, Straight	1
11	4110	Circle Cotter	2
12	5008	Strap, Rubber, 6 inch	1
13	5009	Handle, Latch	1
14	*	Bolt, Hex, 5/16-18x1	1
15	5010	Washer, Spring, 5/16	2
16	*	Flatwasher, 5/16	2
17	*	Nut, Nylon Insert Lock, 5/16-18	1
18	5011	U-Bracket	1
19	*	Screw, Phillips, Pan Head 5/16-18x3/4	3
20	*	Lockwasher, 5/16	3
21	*	Nut, Hex 5/16-18	3
22	5012	Handle, Lift	2
23	*	Screw, Phillips Pan Head 1/4-20x1/2	5
24	*	Lockwasher, 1/4	4
25	*	Nut, Hex 1/4-20	4
26	5013	Frame	1
27	*	Bolt, Hex, 1/2-13x1-1/4	2
28	*	Nut, Hex Lock, 1/2-13	2
29	4005	Wheel, Swivel, 410/350-4	2
30	*	Bolt, Hex, 3/8-16x1	8
31	*	Flatwasher, 3/8 S.A.E.	10
32	*	Nut, Hex Lock, 3/8-16	8
33		Sleeve, Plastic Connecting	1
34	4036	Clamp, Sleeve	1
35	*	Nut, Hex Lock, 1/4-20	1
36	4003	Pin, Clevis, 1/2x1-1/4	2
37	4009	Clip, Safety	2

* STANDARD HARDWARE—PURCHASE LOCALLY